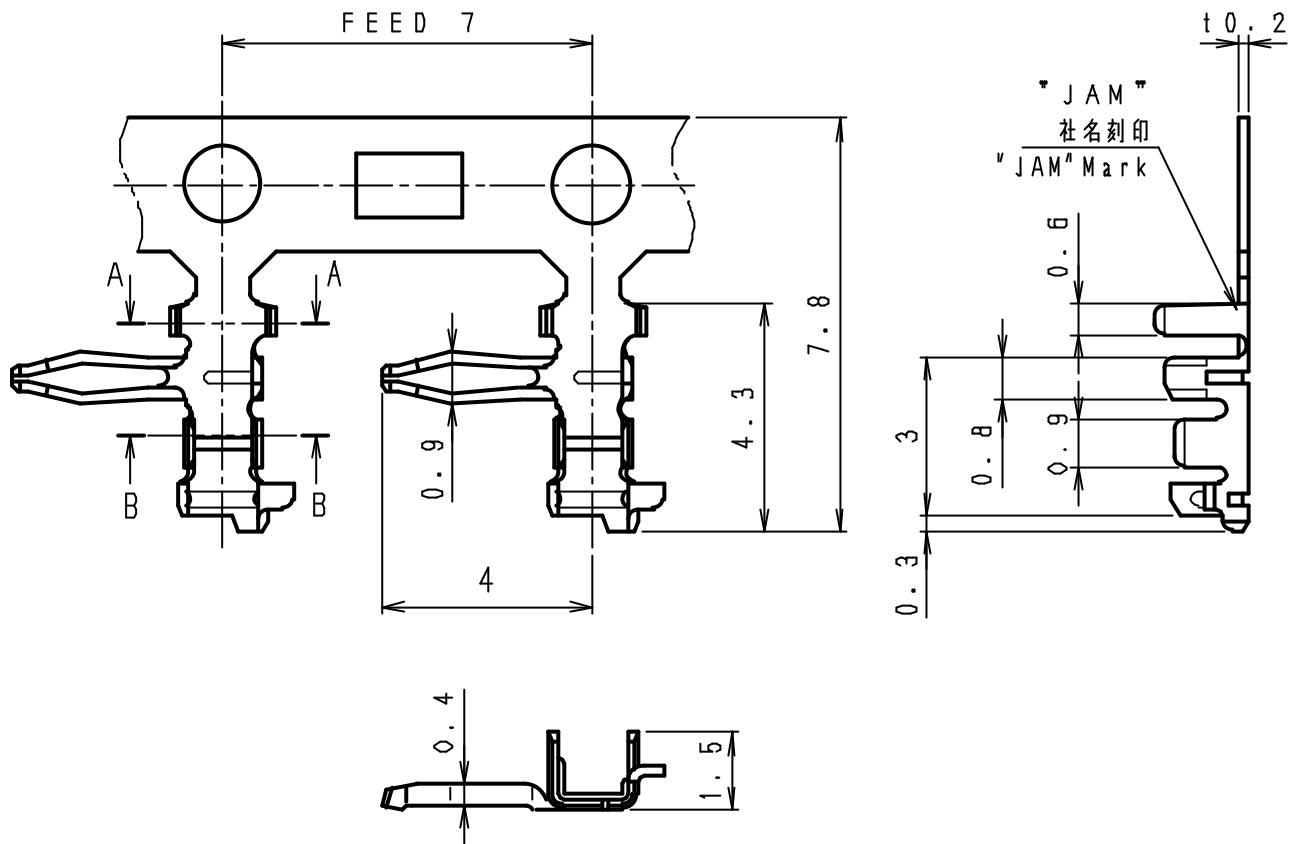


第三角法  
3rd ANGLE PROJECTION


単位: mm  
UNIT: mm  
注) . . . . . 図面を実測しないこと  
NOTES) . . . . . DO NOT SCALE

図番 DRAWING No.  
JC-0109-20



SEC A-A

SEC B-B

|                               |             |                              |              |   |                     |                              |                                    |                        |                        |          |
|-------------------------------|-------------|------------------------------|--------------|---|---------------------|------------------------------|------------------------------------|------------------------|------------------------|----------|
| △5                            | . .         |                              |              |   | △1                  | 50B320-2MAC                  | リン青銅<br>Phosphor Bronze            | zinc<br>Pre-tin Plated | AWG#24~30              | MAX φ1.4 |
| △4                            | . .         |                              |              |   | 50B320-2MA          | 黄銅<br>Brass                  |                                    |                        |                        |          |
| △3                            | . .         |                              |              |   | 製品番号<br>PRODUCT No. | 材 料<br>MATERIAL              | 表面処理<br>FINISH                     | 適用電線<br>WIRE SIZE      | 被覆外径<br>INSULATION DIA |          |
| △2                            | . .         |                              |              |   | 02.12.17            | アイテム追加<br>Item addition      | 草野 堀内                              |                        |                        |          |
| 記号<br>No.                     | 年月日<br>DATE | 変更記号<br>REVISION<br>RECORD   | 設計<br>DESIGN | 承認<br>APP   | 製品名<br>NAME         |                              | JBターミナル Lタイプ<br>JB Terminal L-Type |                        |                        |          |
| 承認<br>APPROVED<br>Y. Horiuchi |             | 確認<br>CHECKED<br>Y. Horiuchi |              | 公差<br>TOLERANCE<br>±0.3   | 尺度<br>SCALE<br>7/1  | 図番<br>DRAWING No. JC-0109-20 |                                    |                        |                        |          |
| 設計<br>DESIGN<br>K. Kusano     |             | 製図<br>DRAWING<br>K. Kusano   |              |  JAPAN AUTOMATIC MACHINE CO., LTD. |                     |                              |                                    |                        |                        |          |