

FAKRA connector

FAKRA Connector is specifically designed for Automotive applications. They are based on SMB Connector interface and comply with the standard for uniform connector system established by FAKRA (Automotive Expert Group). Due to their special standardized locking system FAKRA Connector fulfill the high functional and safety requirements of today's Automotive industry. This Coaxial connectors meet the specification of USCAR-18 and ISO 20860-1.



【PRODUCT FEATURE】

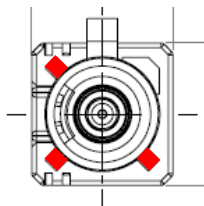
- Mature mechanical and color coding system
- Reliable and Durable
- Highest possible mounting safety
- Signal from Antenna to camera (Up to 6GHz)
- High Locking strength
- Waterproof version available
- Customized solution
- Rotating coaxial insert and cable with secondarily locking
(For removing the stress for twisted cable)
- Efficient automatic processing functions (Harness production)

【Prevent mismatch-mating】

In order to support many in-vehicle functions, the color of the housing and the key of the mating part are determined for each application as a measure to prevent mismatch-mating.

Application-specific key code and the color

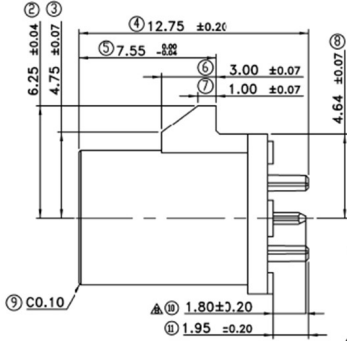
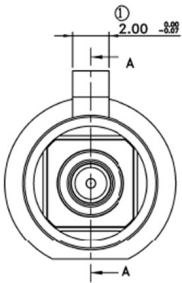
コーディング Coding	キー Key	カラー/RAL Color/RAL	コーディング Coding	キー Key	カラー/RAL Color/RAL
A ファントム非対応ラジオ Radio without phantom supply		黒 / Black 9005	H 無線制御 Wireless control		紫 / Violet 4003
B ファントム対応ラジオ Radio with phantom supply		白 / White 9001	I Bluetooth		ベージュ / Beige 1001
C GPS		青 / Blue 5005	K IFラジオ Radio with IF		カレー / Curry 1027
D GSM / 携帯電話 GSM / Cellular		ボルドー / Bordeaux 4004	L Not defined		赤 / Carmine red 3002
E テレビ1 TV1		緑 / Green 6002	M Not defined		パステルオレンジ / Pastel orange 6002
F テレビ2 TV2		茶 / Brown 8011	N Not defined		パステルグリーン / Pastel green 6019
G キーレスエントリー Remote control keyless entry		灰 / Gray 7031	Z ニュートラル Neutral coding		ウォーターブルー / Water blue 5021



The red part shows the key, and the keys in these three locations are combined and applied to each application.

FAKRA for P.C.B.

**FAKRA PLUG Vertical
for P.C.B.**



MATERIAL

- Insulator: Thermo-plastic
- Contacts: Copper alloy
- Shell: Zinc alloy

CONTACT PLATING

- Contact area: Gold Flash
- Solder tails area: Tin (Matte)

ELECTRICAL

- Impedance: 50 Ohms
- Frequency : UP to 6 GHz
- Return Loss : 18 dB Max.
- Insertion Loss : 0.1 dB Min.
- Insulator Resistance: 1000 MΩ Min. at 100V DC
- Withstanding Voltage: AC 750 Vrms Min. 60 Hz
- Voltage Rating: AC 335Vrms
- Current Rating: 1.0A Max.
- Contact Resistance: 5 mΩ Max. at 20 mV Max.
- Operation Temp. Range: -40 degree to +105 degree

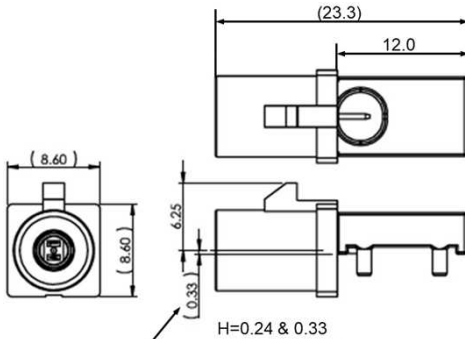
MECHANICAL

- Mating Cycles: 25 Cycles Max.
- Engagement force: 20 N Max.
- Disengagement force: 25 N Min.

**FAKRA PLUG R/A
H=0.24
for P.C.B.**



**FAKRA PLUG R/A
H=0.33
for P.C.B.**



MATERIAL

- Insulator : Thermo-plastic
- Contacts : Copper alloy
- Shell : Zinc alloy

CONTACT PLATING

- Contact area : Gold Flash
- Solder tails area : Tin (Matte)

ELECTRICAL

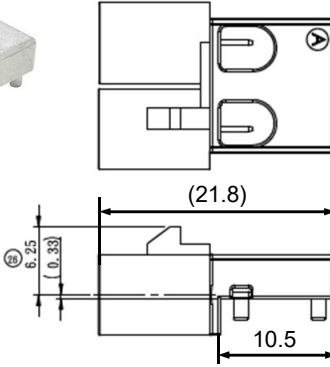
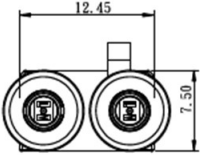
- Impedance : 50 Ohms
- Frequency : UP to 6 GHz
- Return Loss : 18 dB Max.
- Insertion Loss : 0.1 dB Min.
- Insulator Resistance : 1000 MΩ Min. at 100V DC
- Withstanding Voltage : AC 750 Vrms Min. 60Hz
- Voltage Rating : AC 335 Vrms
- Current Rating : 1.0A Max.
- Contact Resistance : 5 mΩ Max. at 20 mV Max.
- Operation Temp. Range : -40 degree to +105 degree

MECHANICAL

- Mating Cycles : 25 Cycles Max.
- Engagement force : 20 N Max.
- Disengagement force : 25 N Min.

FAKRA for P.C.B.

FAKRA PLUG R/A
H=0.33 for P.C.B.



MATERIAL

- Insulator : Thermo-plastic
- Contacts : Copper alloy
- Shell : Zinc alloy

CONTACT PLATING

- Contact area : Gold Flash
- Solder tails area : Tin (Matte)

ELECTRICAL

- Impedance : 50 Ohms
- Frequency : UP to 6 GHz
- Return Loss : 18 dB Max.
- Insertion Loss : 0.1 dB Min.
- Insulator Resistance : 1000 MΩ Min. at 100 V DC
- Withstanding Voltage : AC 750 Vrms Min. 60 Hz
- Voltage Rating: AC 335 Vrms
- Current Rating: 1.0A Max.
- Contact Resistance: 10 mΩ Max. at 20 mV Max.
- Operation Temp. Range: -40 degree to +105 degree

MECHANICAL

- Mating Cycles: 25 Cycles Max.
- Engagement force: 20 N Max.
- Disengagement force: 25 N Min.

FAKRA for CABLE



FAKRA Straight JACK
Pressed Terminal
1m / 2m / 5m



FAKRA Straight JACK
Machine cutting products
1m / 2m



FAKRA Straight JACK
Machine cutting products
IP67 & IP69K, 1m



FAKRA R/A JACK
Machine cutting products
1m / 2m



FAKRA R/A JACK
Machine cutting products
IP67 & IP69K, 1m / 2m



FAKRA Straight and R/A JACK
Pressed Terminal (Straight)
Cutting products (R/A)
1m / 2m



FAKRA Straight and R/A JACK
Machine cutting products
IP67 & IP69K, 1m / 2m



FAKRA JACK to PLUG Straight
Machine cutting products
IP67 & IP69K, 1m / 2m



FAKRA JACK to PLUG Straight
Machine cutting products



FAKRA PLUG to I-Pex
Cutting products (FAKRA)
Panel Mount, IP67
50 / 100 / 150 / 200mm



FAKRA PLUG to I-Pex 4L
Cutting products (FAKRA)
Panel Mount, IP67
50 / 100 / 150 / 200mm