

Mini FAKRA connector

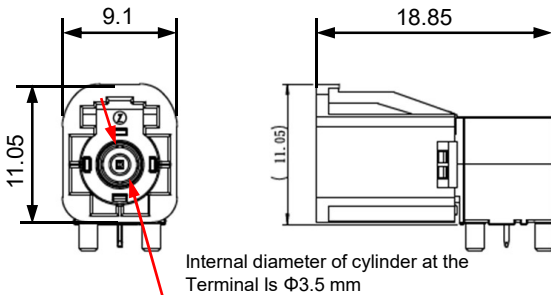
Mini FAKRA connector is designed with consideration for the space and performance of future automotive applications, and offers a smaller size and higher transmission performance than previous FAKRA connectors.

[PRODUCT FEATURE]

- Small dimensions - Optimized space design.
- Fully shielded Modular system.
- Transmitting signal up to 28 Gbps with low latency.
- Supports 9 GHz and up to 15 GHz bandwidth.
- Robust for Automotive application.
- Fully protected terminals.
- High key effectiveness (Min.130 N)
- Supports existing cable type RTK-031 / RG174
- 2 types of ring diameters can be accommodated

Mini FAKRA for P.C.B.

Mini FAKRA AM type
R/A PLUG 1x1



MATERIAL

- Insulator : Thermo-plastic
- Contacts : Copper alloy
- Shell : Zinc alloy

CONTACT PLATING

- Contact area : Gold Flash
- Solder tails area : Tin (Matte)

ELECTRICAL

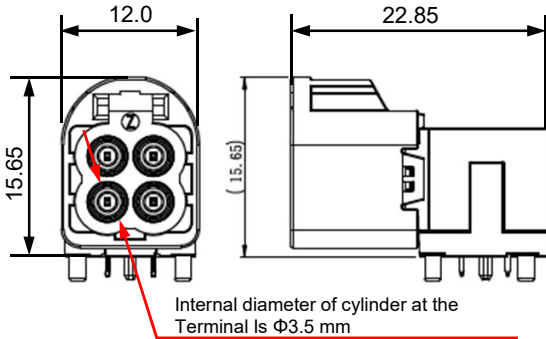
- Impedance : 50 Ohms
- Frequency : UP to 9 GHz
- Return Loss : ≥ 25 dB DC to ≤ 3 GHz
 ≥ 20 dB > 3 GHz to ≤ 6 GHz
 ≥ 12 dB > 6 GHz to ≤ 9 GHz
- Insertion Loss : $\leq 0.1 \times \sqrt{f}$ (GHz) dB
- Insulator Resistance : 1000 M Ω Min. at 100V DC
- Withstanding Voltage : AC 750 Vrms Min. 60 Hz
- Voltage Rating : AC 335 Vrms
- Current Rating : 1.0 A Max.
- Contact Resistance : 5 m Ω Max. at 20 mV Max.
- Operation Temp. Range : -40 degree to +105 degree

MECHANICAL

- Mating Cycles : 25 Cycles Max.
- Engagement force : 15 N Max. (AM type 1x1)
- Disengagement force : 20 N Min. (AM type 1x1)

Mini FAKRA for P.C.B.

**Mini FAKRA AM type
R/A PLUG 2x2**



MATERIAL

- Insulator : Thermo-plastic
- Contacts : Copper alloy
- Shell : Zinc alloy

CONTACT PLATING

- Contact area : Gold Flash
- Solder tails area : Tin (Matte)

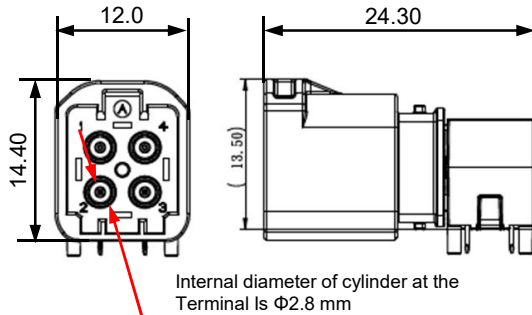
ELECTRICAL

- Impedance : 50 Ohms
- Frequency : UP to 9 GHz
- Return Loss : ≥ 25 dB DC to ≤ 3 GHz
 ≥ 20 dB > 3 GHz to ≤ 6 GHz
 ≥ 12 dB > 6 GHz to ≤ 9 GHz
- Insertion Loss : $\leq 0.1x\sqrt{f}$ (GHz) dB
- Insulator Resistance : 1000 M Ω Min. at 100 V DC
- Withstanding Voltage : AC 750 Vrms Min. 60Hz
- Voltage Rating : AC 335 Vrms
- Current Rating : 1.0 A Max.
- Contact Resistance : 10 m Ω Max. at 20 mV Max.
- Operation Temp. Range : -40 degree to +105 degree

MECHANICAL

- Mating Cycles : 25 Cycles Max.
- Engagement force : 45 N Max. (AM type 2x2)
- Disengagement force : 50 N Min. (AM type 2x2)

**Mini FAKRA BM type
R/A PLUG 2x2**



MATERIAL

- Insulator : Thermo-plastic
- Contacts : Copper alloy
- Shell : Zinc alloy

CONTACT PLATING

- Contact area : Gold Flash
- Solder tails area : Tin (Matte)

ELECTRICAL

- Impedance : 50 Ohms
- Frequency : UP to 9 GHz
- Return Loss : ≥ 17 dB to ≤ 6 GHz
 ≥ 12 dB to ≤ 9 GHz
- Insertion Loss : $\leq 0.1x\sqrt{f}$ (GHz) dB
- Insulator Resistance : 1000 M Ω Min. at 100 V DC
- Withstanding Voltage : AC 750 Vrms Min. 60 Hz
- Voltage Rating : AC 335 Vrms
- Current Rating : 1.0 A Max.
- Contact Resistance : 10 m Ω Max. at 20 mV Max.
- Operation Temp. Range : -40 degree to +105 degree

MECHANICAL

- Mating Cycles : 25 Cycles Max.
- Engagement force : 75 N Max. (BM type 2x2)
- Disengagement force : 60 N Min. (BM type 2x2)

Mini FAKRA for CABLE



Mini FAKRA, AM type,
JACK 1X1



Mini FAKRA, AM type,
JACK 1x1 to FAKRA JACK



Mini FAKRA, AM type
JACK 2x2



Mini FAKRA, AM type,
JACK 2x2
to FAKRA JACK X4



Mini FAKRA, AM type,
JACK 2x2
to FAKRA PLUG X4



Mini FAKRA, AM type,
JACK 2x2
to SMA PLUG Male X4



Mini FAKRA, AM type,
JACK 2x2
to SMA PLUG Female X4



Mini FAKRA, BM type
JACK 2x2



Mini FAKRA, BM type, JACK 2x2
to FAKRA PLUG x4



Mini FAKRA, BM type,
JACK 2x2
to FAKRA JACK X4



Mini FAKRA, BM type,
JACK 2x2
to SMA PLUG Male X4



Mini FAKRA, BM type,
JACK 2x2
to SMA PLUG Female X4